



# SKRUE · LIGHT

Clamp 4W  
Clamp 8W

**Owner's Manual**

**TABLE OF CONTENTS**

Important Safety Instructions	3-4
Parts—Exploded View & Identification	
Clamp 4	5
Clamp 8	6
Introduction	
Clamp 4	7-8
Clamp 8	9-10
Getting Started	
Mounting Clamp	11
Power Up Clamp	12
Warranty Information	14-16

**WARNING**

To guard against injury, basic safety precautions should be observed including the following:

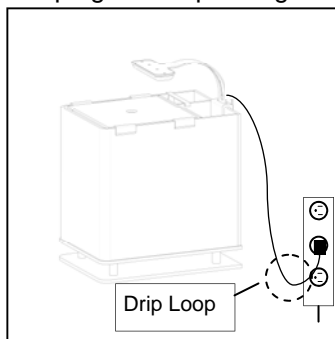
**READ ALL SAFETY INSTRUCTIONS BEFORE USE.**

**WARNING**

To avoid electric shock, special care should be taken since water is employed in the use of aquarium equipment. For each of the following situations, do not attempt to repair yourself. Return the appliance to an authorized service facility for service or discard the appliance.

- If the appliance falls into water, DO NOT reach for it! First unplug it and then retrieve it. If the electrical components of the appliance get wet, unplug the appliance immediately
- Carefully examine the appliance after installation. It should not be plugged in if there is water on parts not intended to be wet.
- Do not operate any appliance if it has a damaged cord or plug, or if it is malfunctioning or if it is dropped or damaged in any manner.

- To avoid the possibility of the appliance plug or receptacle getting wet, position aquarium to one side of a wall mounted receptacle to prevent water from dripping onto the receptacle plug. A “Drip Loop” should be arranged by the user for EACH cord connecting an aquarium appliance to a receptacle. The “Drip Loop” is that part of the cord below the level of the receptacle or the connector if an extension cord is used. This “Drip Loop” prevents water travelling along the cord and coming in contact with the receptacle.



If the plug or the receptacle do get wet DO NOT unplug the cord. Disconnect the fuse to the circuit breaker that supplies power to the appliance. Then unplug and examine for the presence of water in the receptacle.

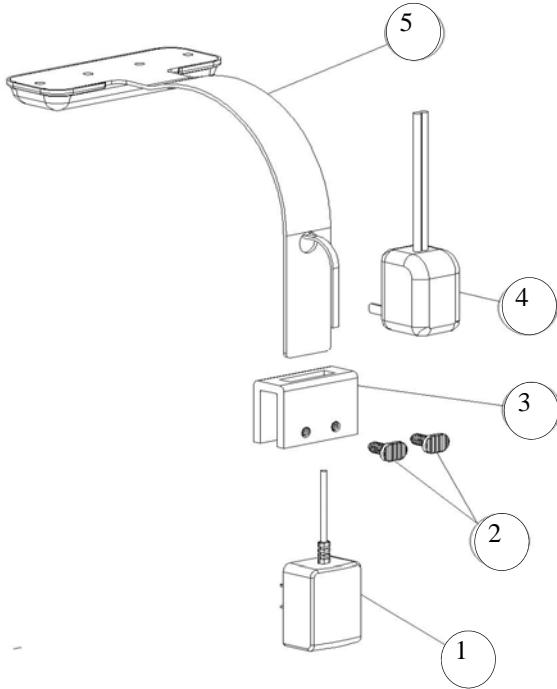
- Close supervision is necessary when any appliance is used by or near children.
- To avoid injury, do not contact moving parts or hot parts such as heaters, reflectors, lamps bulbs and etc.
- Always unplug an appliance from the outlet when not in use, before putting on or taking off parts, and before cleaning. Never yank the cord to pull plug from outlet. Grasp the plug and pull to disconnect.

- Do not use an appliance for other than intended use. The use of attachments not recommended or sold by the appliance manufacturer may cause an unsafe condition.
- Do not install or store the appliance where it will be exposed to the weather or to temperatures below freezing.
- Make sure an appliance mounted on a tank is securely installed before operating it.
- Read and observe all the important notices on the appliance.
- This appliance has a polarized plug (one blade is wider than the other). As a safety feature, this plug will fit in a polarized outlet only one way. If the plug does not fit fully in the outlet, reverse the plug. If it still does not fit, contact a qualified electrician. Never use with an extension cord unless plug can be fully inserted. Do not attempt to defeat this safety feature.
- This appliance is intended FOR HOUSEHOLD USE ONLY.
- If an extension cord is necessary, a cord with a proper rating should be used.

## **CLEANING**

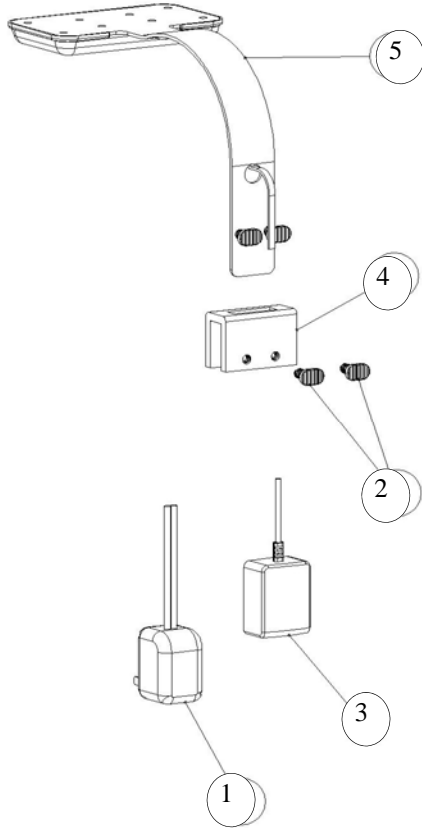
- It is important to keep the Skkye Light Clamp clean.
- Always unplug the Clamp before performing maintenance or cleaning.
- Wipe exposed surfaces carefully with a damp cloth to remove any dust or mineral deposits which may collect over time.
- Make sure hands are dry before re-plugging into an approved electrical outlet

Clamp 4



#	Description	Black Color	White Color
		Item Code	Item Code
1	2 x 0.5W / 4 x 0.5W Moonlight Driver	610005	
2	Clamp Mounting Screws	610003	
3	Clamp Mounting Bracket	610002	610001
4	3 x 1W Daylight Driver	610004	
5	Clamp Light arm - 4W	610007	610008

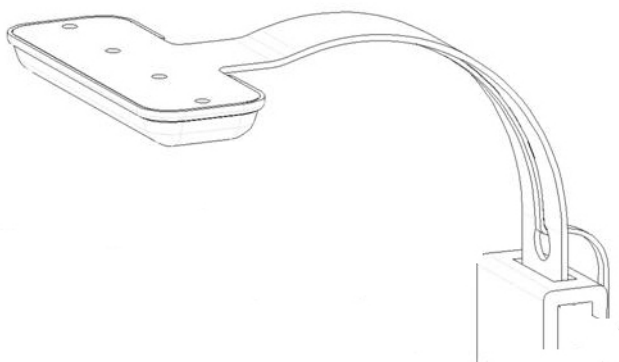
**Clamp 8**



#	Description	Black Color	White Color
		Item Code	Item Code
1	2 x 0.5W / 4 x 0.5W Moonlight Driver	610005	
2	Clamp Mounting Screws	610003	
3	Clamp Mounting Bracket	610002	610001
4	6 x 1W Daylight Driver	610006	
5	Clamp Light arm - 8W	610009	610010

Skkye Light LED series set the new standard for ultra-modern design in high brightness LED green technology. Reward your mini Ecosystem with mesmerizing glitter lines while consuming a fraction of the energy cost and minimal carbon emissions into our environment.

## Clamp 4



The new stylishly slim aluminum fixture has a low 3mm thickness and an intense light output. The perfect choice for any rimless aquarium with a thickness of 9mm or less and offered in both 10K purified white daylight and 14K daylight. Includes (3) high brightness 1 watt daylight and (2) 0.5 watt moonlight LEDs in a space saving form factor for pure minimalism. Each arm has a power cord channel and independent cords for timer usage.

### SPECS—Clamp 4

MODEL	6101 White		6102 Black	
LIGHT CYCLE	DAYLIGHT	MOONLIGHT	DAYLIGHT	MOONLIGHT
LED WATTS	3 x 1 Watt	2 x 0.5 Watt	3 x 1 Watt	2 x 0.5 Watt
COLOR	10K	456nm	14K	456nm
CURRENT	350 mA	60 mA	350 mA	60 mA

## Clamp 4

Features:

### 2 Light Cycles

- Daylight 3 x 1 Watt .
- Moonlight 2 x 0.5 Watt .

### Independent Power Cords

- Each with Quick Disconnects

### Aluminum Alloy Arm

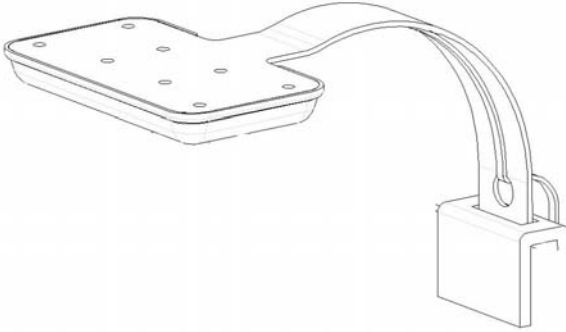
- 3mm thickness

### Mounting Bracket

- Fits on Rimless Aquariums—9mm or less



# Clamp 8



The new stylishly slim aluminum fixture has a low 3mm thickness and an intense light output. The perfect choice for any rimless aquarium with a thickness of 9mm or less and offered in both 10K purified white daylight and 14K daylight. Includes (6) high brightness 1 watt daylights and (4) 0.5 watt moonlight LEDs in a space saving form factor for pure minimalism. Each arm has a power cord channel and independent cords for timer usage.

## SPECS—Clamp 8

MODEL	6103 <i>White</i>		6104 <i>Black</i>	
	<i>DAYLIGHT</i>	<i>MOONLIGHT</i>	<i>DAYLIGHT</i>	<i>MOONLIGHT</i>
<i>LED WATTS</i>	6 x 1 Watt	4 x 0.5 Watt	6 x 1 Watt	4 x 0.5 Watt
<i>COLOR</i>	10K	456nm	14K	456nm
<i>CURRENT</i>	350 mA	60 mA	350 mA	60 mA

## Clamp 8

Features:

### 2 Light Cycles

- Daylight 6 x 1 Watt .
- Moonlight 4 x 0.5 Watt

### Independent Power Cords

- Each with Quick Disconnects

### Aluminum Alloy Arm

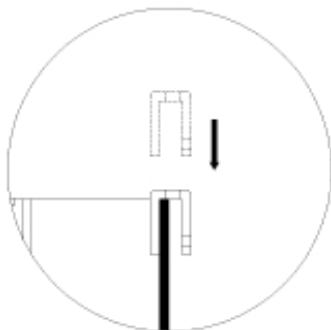
- 3mm thickness

### Mounting Bracket

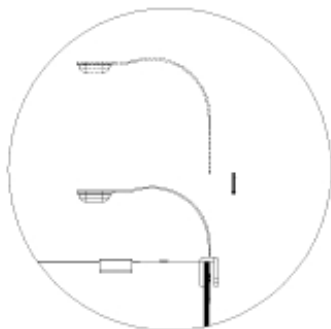
- Fits on Rimless Aquariums—9mm or less

## MOUNTING SKYYE LIGHT CLAMP

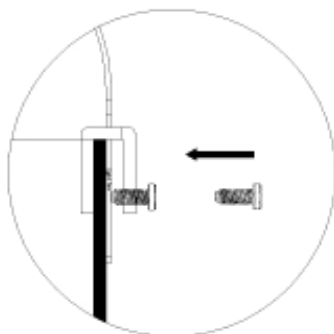
### Rimless Tank Mounting



- Place Clamp Mounting bracket back wall of aquarium.
- Fits a thickness of 9mm or less



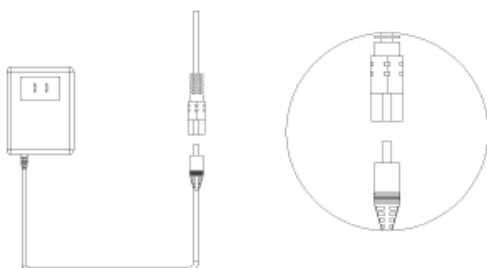
- Slide the Clamp Light Arm through the opening on the bracket.
- *The Clamp Light Arm will be on the back of the rear wall. Adjust the height of the Clamp Arm to your desired position.*



- Insert the mounting screws in the mounting bracket and tighten.

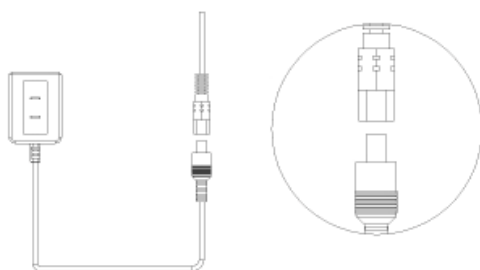
## POWERING UP SKKYE LIGHT CLAMP

- Clamp 4W and Clamp 8W comes with 2 Drivers—Daylight and moonlight.
- Plug each male prong from the Clamp to the matching Driver.



2 x 0.5W / 4 x 0.5W  
Moonlight Driver

- Plug the Moonlight Driver into a approved household timer



3 x 1W  
or  
6 x 1W  
Daylight Driver

- Plug the Daylight Driver into a approved household timer

## WARRANTY INFORMATION

### LIMITED 1 YEAR WARRANTY— CLAMP 4W & CLAMP 8W

This CLAMP has a 1 YEAR limited warranty.. The CLAMP warranted to the original purchaser against defective material and workmanship for 1 YEAR from the date of original purchase. This warranty is valid only under the following conditions: additions, modifications, or changes made to the product by the purchaser and not by the manufacturer shall void this warranty. Damages brought on by abuse, misapplication, or mishandling also voids this warranty.

This warranty is limited to the repair or replacement of the product at the discretion of the manufacturer. This warranty does not cover personal injury, property loss, including livestock or damage (direct, incidental, or consequential) arising out of use of this product. This warranty gives you specific rights and you may also have other rights, which may vary from state to state.

The Product Registration Card must be filled out completely and returned within (14) days from the date of purchase. Failure to do so will void this warranty. **A proof of purchase from an authorized dealer must be provided when making a warranty claim.**

For Warranty Claim please contact our Customer Care Department.

A RMA # must be issued before sending any product back to Innovative Marine. Products sent back to Innovative Marine without a RMA# will be not be accepted. Service on products will not extend the original warranty period.

**Email: [warranty@innovative-marine.com](mailto:warranty@innovative-marine.com)**

**PRODUCT INFORMATION**

<b>MODEL #</b>
<b>CLAMP SERIAL #</b>
<b>DATE OF PURCHASE</b>

*Please keep your receipt in a safe place to ensure you have this information.*



[WWW.INNOVATIVE-MARINE.COM](http://WWW.INNOVATIVE-MARINE.COM)

A Division of

