



*MAGNAFLUGE*

# 7601

Owner's Manual

ROQUA · GADGET

# CONTENTS

## TABLE OF CONTENTS

Important Safety Instructions	3-4
Parts—Exploded View & Identification	5
Introduction	6-7
Getting Started	
Mounting MagnaFuge LED	8
Choosing a Location for MagnaFuge LED	
A.I.O. Aquariums	9
Sumps	10
Powering Up MagnaFuge LED	11
Notes	12-13
Warranty Information	14-15

**WARNING**

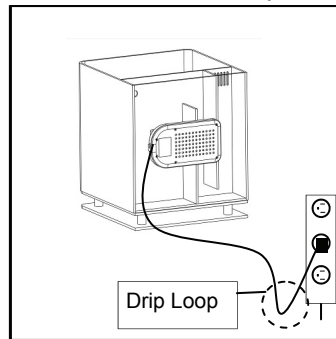
To guard against injury, basic safety precautions should be observed including the following:

**READ ALL SAFETY INSTRUCTIONS BEFORE USE.**

**WARNING**

To avoid electric shock, special care should be taken since water is employed in the use of aquarium equipment. For each of the following situations, do not attempt to repair yourself. Return the appliance to an authorized service facility for service or discard the appliance.

- If the appliance falls into water, DO NOT reach for it! First unplug it and then retrieve it. If the electrical components of the appliance gets wet, unplug the appliance immediately.
- Carefully examine the appliance after installation. It should not be plugged in if there is water on parts not intended to be wet.
- Do not operate any appliance if it has a damaged cord or plug, or if it is malfunctioning or if it is dropped or damaged in any manner.
- To avoid the possibility of the appliance plug or receptacle getting wet, position aquarium to one side of a wall mounted receptacle to prevent water from dripping onto the receptacle plug. A "Drip Loop" should be arranged by the user for EACH cord connecting an aquarium appliance to a receptacle. The "Drip Loop" is that part of the cord below the level of the receptacle or the connector if an extension cord is used. This "Drip Loop" prevents water travelling along the cord and coming in contact with the receptacle. If the plug or the receptacle



- do get wet DO NOT unplug the cord. Disconnect the fuse to the circuit breaker that supplies power to the appliance. Then unplug and examine for the presence of water in the receptacle.
- Close supervision is necessary when any appliance is used by or near children.
- To avoid injury, do not contact moving parts or hot parts such as heaters, reflectors, lamps bulbs and etc.
- Always unplug an appliance from the outlet when not in use, before putting on or taking off parts, and before cleaning. Never yank the cord to pull plug from outlet. Grasp the plug and pull to disconnect.

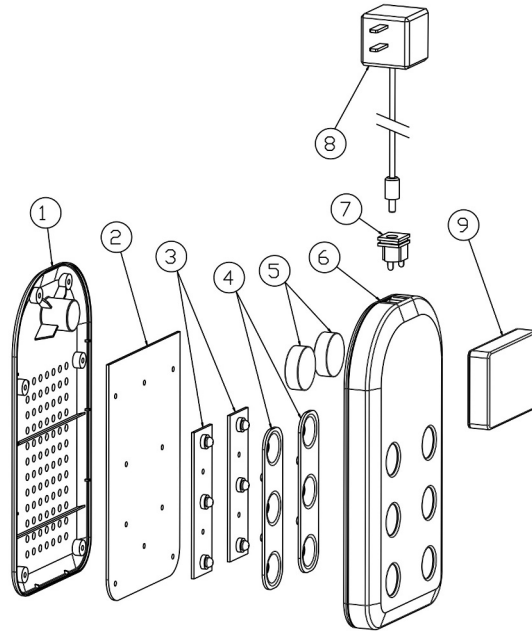
## IMPORTANT SAFETY INSTRUCTIONS

- Do not use an appliance for other than intended use. The use of attachments not recommended or sold by the appliance manufacturer may cause an unsafe condition.
- Do not install or store the appliance where it will be exposed to the weather or to temperatures below freezing.
- Make sure an appliance mounted on a tank is securely installed before operating it.
- Read and observe all the important notices on the appliance.
- This appliance has a polarized plug (one blade is wider than the other). As a safety feature, this plug will fit in a polarized outlet only one way. If the plug does not fit fully in the outlet, reverse the plug. If it still does not fit, contact a qualified electrician. Never use with an extension cord unless plug can be fully inserted. Do not attempt to defeat this safety feature.
- This appliance is intended FOR HOUSEHOLD USE ONLY.
- If an extension cord is necessary, a cord with a proper rating should be used.

## CLEANING

- It is important to keep the MagnaFuge clean.
- Always unplug the MagnaFuge before performing maintenance or cleaning.
- Wipe exposed surfaces carefully with a damp cloth to remove any dust or mineral deposits which may collect over time.
- Make sure hands are dry before re-plugging into an approved electrical outlet

# MagnaFuge

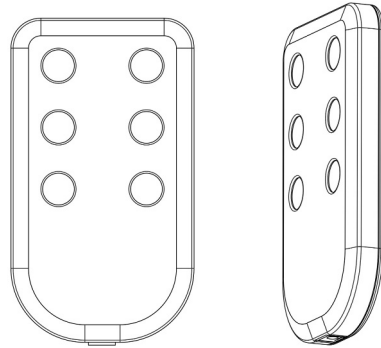


**PARTS**  
Exploded View

#	Description	Item Code
1	Back Face Plate	760101
2	Heat Sink	760102
3	3 x 1Watt LEDs—(2)	760103
4	LED Reflectors	760104
5	Mounting Magnets	760105
6	Front Face Plate	760106
7	Female Driver Receptacle	760107
8	6 x 1Watt LED Driver	610006
9	Magnet Mount	760108

AUQA GADGETS are a new line of fresh & clever tools that aid in your daily chores for your aquarium. Innovative design and simplicity are the core ingredients to save you time and frustration. AUQA GADGETS series include SMART products that encompass maintenance, filtration, feeding, and organization to streamline your husbandry needs without the hassle.

## MagnaFuge **Versatile Fuge Lighting**



Enjoy the benefits of natural filtration for your AIO (All-In-One) Aquarium with the versatile MagnaFuge LED. Unlike traditional fuge lighting, the low voltage MagnaFuge utilizes dedicated rare earth neodymium magnets to mount vertically or horizontally behind your AIO, and remains discreetly out of view.

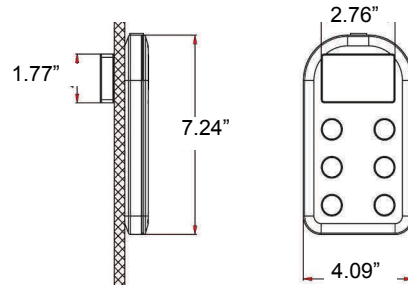
Designed for maximum macro algae growth, the MagnaFuge distributes 6500K spectrum evenly with 120 degree optics, and delivers an amazing 120 lumens per watt.

Creating a refugium aids in the export of unwanted nutrients such as phosphates and nitrates, while stabilizing pH and oxygen level throughout the day. They also provide a natural food source for your aquarium inhabitants, to create a true thriving mini-ecosystem.

### Features:

- Easy to set up magnetic design
- Designed for AIO Aquariums
- Low voltage
- 4 Rare earth neodymium magnets
- 6 x 1 watt LED
- 6,500K Daylight
- Small form factor
- 120 lumens per watt
- No Heat transfer

## MagnaFuge



## SPECS—MagnaFuge

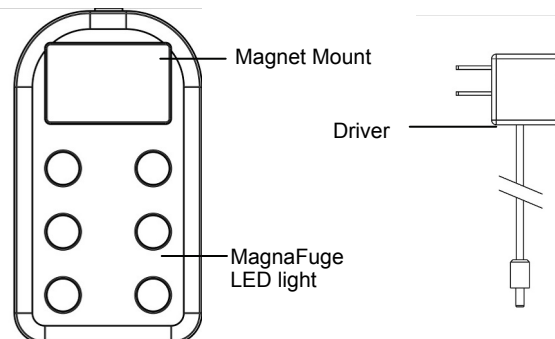
<i>MODEL</i>	<b>7601</b>
<i>LED WATTS</i>	6 x 1 Watt
<i>COLOR</i>	6,500K
<i>CURRENT</i>	350 mA

### Unpacking and Inspection

Please inspect your new MagnaFuge LED and confirm all parts are included before assembly.

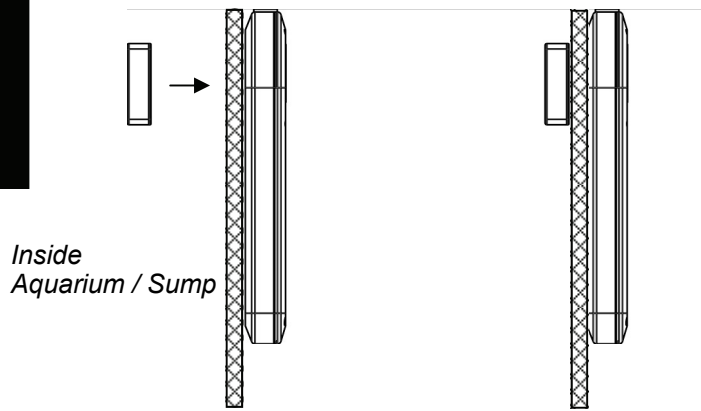
Immediately report if there is any damage or missing parts to [info@innovative-marine.com](mailto:info@innovative-marine.com)

Your MagnaFuge LED purchase should include:

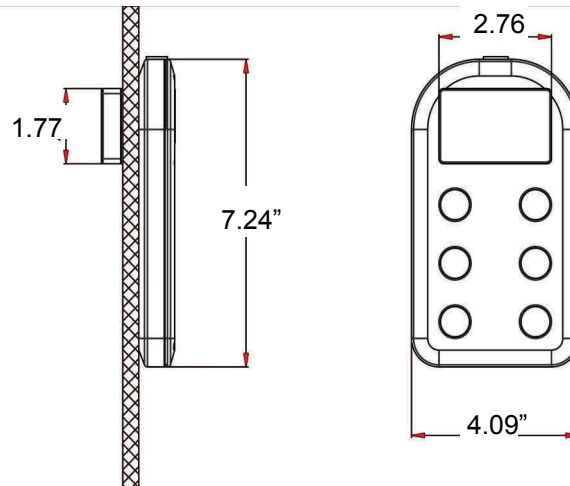


### MOUNTING MAGNAFUGE LED

- Place Magnet Mount on the inside of AIO Filter Compartment or Sump.
- Place MagnaFuge LED on the outside of AIO Filter Compartment or Sump.
- Secure MagnaFuge LED in place with the Magnet Mount



- Confirm the filter compartment for an AIO can house the magnet holder for the MagnaFuge LED. See DIMS Below.

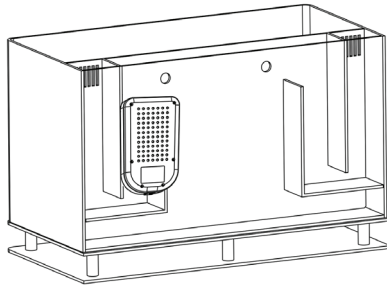




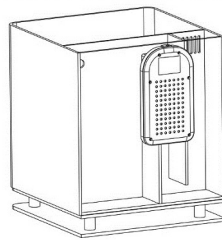
## CHOOSING A LOCATION FOR MAGNAFUGE LED

- There are many mounting options for the MagnaFuge LED
- Determine what option is suited for your setup.

### MagnaFuge on AIO

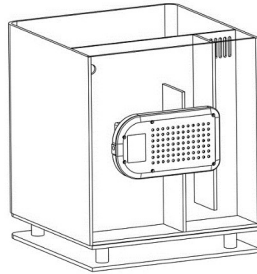


*NuvoAquarium  
Nano16 Shown*



*NuvoAquarium  
Nano8 Shown*

- NOTE—Place MagnaFuge LED sideways if there are space constraints—show below

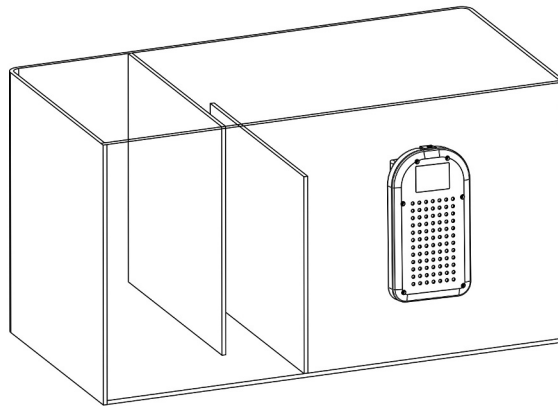


*NuvoAquarium  
Pico4 Shown*

## CHOOSING A LOCATION FOR MAGNAFUGE LED

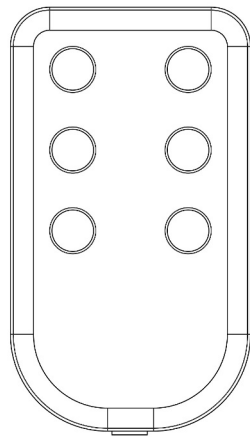
### MagnaFuge LED on Sump

- Determine what area in your sump is best suited for your refugium

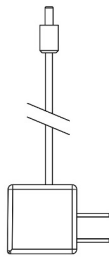


## POWERING UP MAGNAFUGE

- MagnaFuge LED comes with a single 6W Driver
- Once you have positioned your MagnaFuge LED to the desired location you are now ready to power up the MagnaFuge LED



- Locate the female plug on the MagnaFuge LED.
- Plug the Driver into a approved household plug outlet.



**NOTES**

**NOTES**

## WARRANTY INFORMATION

### LIMITED 1 YEAR WARRANTY— MAGNAFUGE

This MAGNAFUGE has a 1 YEAR limited warranty. The MAGNAFUGE warranted to the original purchaser against defective material and workmanship for 1 YEAR from the date of original purchase. This warranty is valid only under the following conditions: additions, modifications, or changes made to the product by the purchaser and not by the manufacturer shall void this warranty. Damages brought on by abuse, misapplication, or mishandling also voids this warranty.

This warranty is limited to the repair or replacement of the product at the discretion of the manufacturer. This warranty does not cover personal injury, property loss, including livestock or damage (direct, incidental, or consequential) arising out of use of this product. This warranty gives you specific rights and you may also have other rights, which may vary from state to state.

The Product Registration Card must be filled out completely and returned within (14) days from the date of purchase. Failure to do so will void this warranty. **A proof of purchase from an authorized dealer must be provided when making a warranty claim.**

For Warranty Claim please contact our Customer Care Department.

A RMA # must be issued before sending any product back to Innovative Marine. Products sent back to Innovative Marine without a RMA# will be not be accepted. Service on products will not extend the original warranty period.

**Email: [warranty@innovative-marine.com](mailto:warranty@innovative-marine.com)**

**PRODUCT INFORMATION**

<b>MODEL #</b>
<b>MAGNAFUGE SERIAL #</b>
<b>DATE OF PURCHASE</b>

*Please keep your receipt in a safe place to ensure you have this information.*

**OWNER'S PRODUCT  
INFORMATION**



[WWW.INNOVATIVE-MARINE.COM](http://WWW.INNOVATIVE-MARINE.COM)

A Division of

