



Tablet 30W  
Tablet 92W

# SKRUE · LIGHT

Owner's Manual

**TABLE OF CONTENTS**

Important Safety Instructions	3-4
Parts—Exploded View & Identification	
Tablet 30	5
Tablet 92	6
Introduction	
Tablet 30	7-8
Tablet 92	9-10
Getting Started	
Handling Precautions	11
Mounting Tablet	12-13
Power Up Tablet	14-15
Maintenance	16
Notes	17
Warranty Information	18-19

**WARNING**

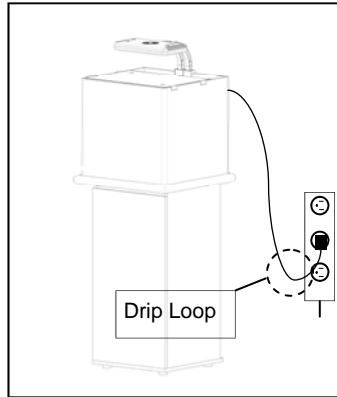
To guard against injury, basic safety precautions should be observed including the following:

**READ ALL SAFETY INSTRUCTIONS BEFORE USE.**

**WARNING**

To avoid electric shock, special care should be taken since water is employed in the use of aquarium equipment. For each of the following situations, do not attempt to repair yourself. Return the appliance to an authorized service facility for service or discard the appliance.

- If the appliance falls into water, DO NOT reach for it! First unplug it and then retrieve it. If the electrical components of the appliance get wet, unplug the appliance immediately
- Carefully examine the appliance after installation. It should not be plugged in if there is water on parts not intended to be wet.
- Do not operate any appliance if it has a damaged cord or plug, or if it is malfunctioning or if it is dropped or damaged in any manner.
- To avoid the possibility of the appliance plug or receptacle getting wet, position aquarium to one side of a wall mounted receptacle to prevent water from dripping onto the receptacle plug. A "Drip Loop" should be arranged by the user for EACH cord connecting an aquarium appliance to a receptacle. The "Drip Loop" is that part of the cord below the level of the receptacle or the connector if an extension cord is used. This "Drip Loop" prevents water travelling along the cord and coming in contact with the receptacle. If the plug or the receptacle do get wet DO NOT unplug the cord. Disconnect the fuse to the circuit breaker that supplies power to the appliance. Then unplug and examine for the presence of water in the receptacle.
- Close supervision is necessary when any appliance is used by or near children.
- To avoid injury, do not contact moving parts or hot parts such as heaters, reflectors, lamps bulbs and etc.
- Always unplug an appliance from the outlet when not in use, before putting on or taking off parts, and before cleaning. Never yank the cord to pull plug from outlet. Grasp the plug and pull to disconnect.

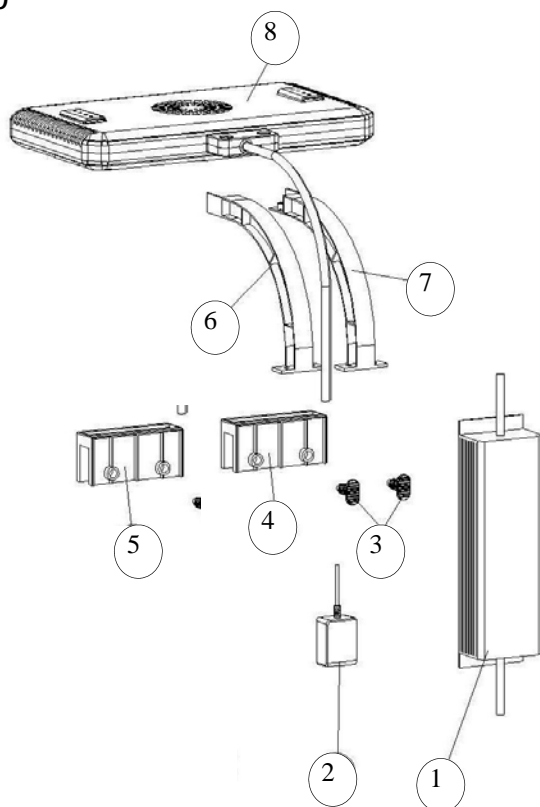


- Do not use an appliance for other than intended use. The use of attachments not recommended or sold by the appliance manufacturer may cause an unsafe condition.
- Do not install or store the appliance where it will be exposed to the weather or to temperatures below freezing.
- Make sure an appliance mounted on a tank is securely installed before operating it.
- Read and observe all the important notices on the appliance.
- This appliance has a polarized plug (one blade is wider than the other). As a safety feature, this plug will fit in a polarized outlet only one way. If the plug does not fit fully in the outlet, reverse the plug. If it still does not fit, contact a qualified electrician. Never use with an extension cord unless plug can be fully inserted. Do not attempt to defeat this safety feature.
- This appliance is intended FOR HOUSEHOLD USE ONLY.
- If an extension cord is necessary, a cord with a proper rating should be used.

## **CLEANING**

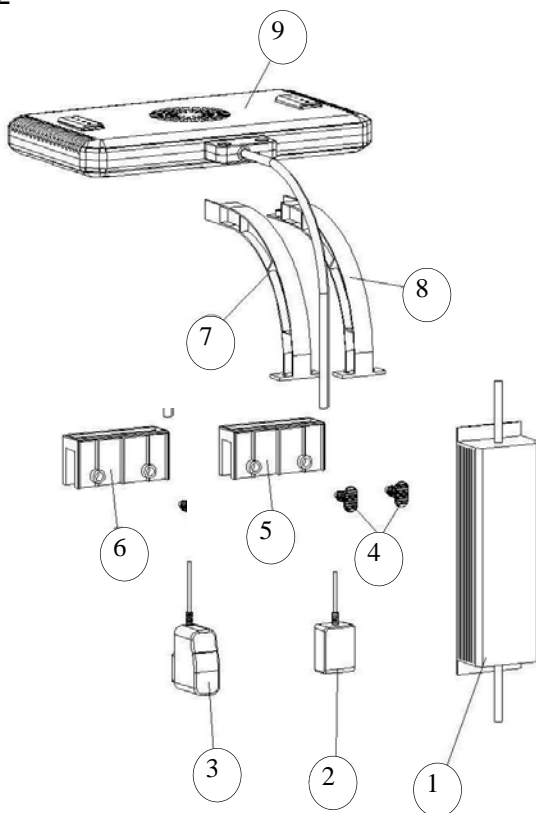
- It is important to keep the Skkye Light Tablet clean.
- Always unplug the Tablet before performing maintenance or cleaning.
- Wipe exposed surfaces carefully with a damp cloth to remove any dust or mineral deposits which may collect over time.
- Make sure hands are dry before re-plugging into an approved electrical outlet

Tablet 30



#	Description	Black Color	White Color
		Item Code	Item Code
1	28 x 1 Watt Daylight Driver	620009	
2	2 x 1 Watt Moonlight Driver	620012	
3	Mounting Screws for Tablet	620005	
4	Mounting Bracket Rimless Tank	620002	620001
5	Mounting Bracket Framed Tanks	620004	620003
6	Aluminum Alloy Arm (Lt)	620016	620014
7	Aluminum Alloy Arm (Rt)	620017	620015
8	Brushless Cooling Fan	620013	

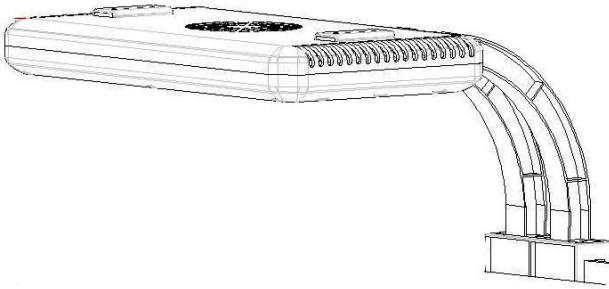
Tablet 92



#	Description	Black Color	White Color
		Item Code	Item Code
1	28 x 3 Watt Daylight Driver	620009	
2	2 x 1 Watt Moonlight Driver	620012	
3	2 x 3 Watt Dawn/Dusk Driver	620011	
4	Mounting Screws for Tablet	620005	
5	Mounting Bracket Rimless Tank	620002	620001
6	Mounting Bracket Framed Tanks	620004	620003
7	Aluminum Alloy Arm (Lt)	620016	620014
8	Aluminum Alloy Arm (Rt)	620017	620015
9	Brushless Cooling Fan	620013	

Skkye Light LED series sets the new standard for ultra-modern design in high brightness LED green technology. Reward your mini Ecosystem with mesmerizing glitter lines while consuming a fraction of the energy cost and minimal carbon emissions into our environment.

## Tablet 30



With versatility, performance & sleek design the new SKKYE-LIGHT Tablet is flexible enough to be mounted inside a canopy or clamped on both rimless and framed aquariums with ease. Each tablet boasts powerful light output offered in 30 Watt version with two independent light cycles for daylight and moonlighting. All Tablets are actively fan cooled with a quiet frameless fan and are no bigger than a typical notebook or tablet.

### SPECS—Tablet 30

MODEL	6201 White		6202 Black	
	DAYLIGHT	MOONLIGHT	DAYLIGHT	MOONLIGHT
LED WATTS	28 x 1 Watt	2 x 1 Watt	28 x 1 Watt	2 x 1 Watt
COLOR	10K	456nm	14K	456nm
CURRENT	700 mA	350 mA	700 mA	350 mA

## Tablet 30W

Features:

### 2 Light Cycles

- Daylight 28 x 1 Watt Daylight.
- Moonlight 2 x 1 Watt Moonlight.

Individual Reflectors

Independent Power Cords

Fan Cooled

Thermal Protection Chip

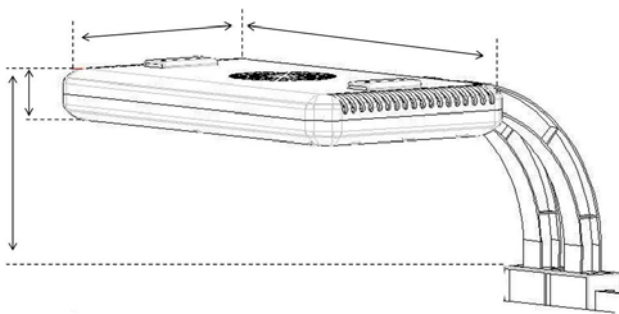
Aluminum Alloy Arm

### 2 Mounting bracket options included

- Fits on Rimless Aquariums—18mm thickness or less
- Fits on Framed Aquariums—30mm thickness or less

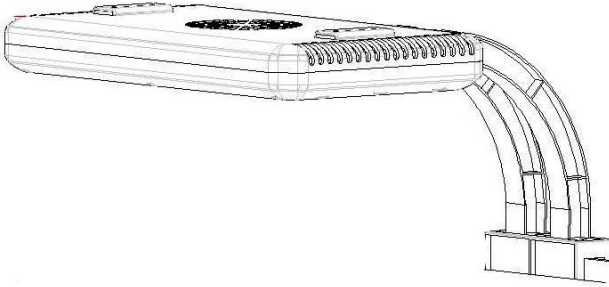
### Retrofit Mounting Brackets—*Not Included*

- Mount inside canopy





# Tablet 92



With versatility, performance & sleek design the new SKKYE-LIGHT Tablet is flexible enough to be mounted inside a canopy or clamped on both rimless and framed aquariums with ease. Each tablet boasts powerful light output offered in 92 Watt version with three independent power cords for daylight, sunrise/sunset and moonlighting. All Tablets are actively fan cooled with a quiet frameless fan and are no bigger than a typical notebook or tablet.

## SPECS—Tablet 92

MODEL	6203 White			6204 Black		
LIGHT CYCLE	DAY-LIGHT	DAWN/DUSK	MOON LIGHT	DAY-LIGHT	DAWN/DUSK	MOON LIGHT
LED WATTS	28 x 3 Watt	2 x 3 Watt	2 x 1 Watt	28 X 3 Watt	2 x 3 Watt	2 x1 Watt
COLOR	10K	466 nm	456nm	14K	466 nm	456nm
CURRENT	700 mA	700 mA	350 mA	700 mA	700 mA	350 mA

## Tablet 92

Features:

### 3 Light Cycles

- Daylight 28 x 3 Watt Daylight.
- Dawn/Dusk 2 x 3 Watt Dawn/Dusk
- Moonlight 2 x 1 Watt Moonlight.

**Individual Reflectors**

**Independent Power Cords**

**Fan Cooled**

**Thermal Protection Chip**

**Aluminum Alloy Arm**

### 2 Mounting bracket options included

- Fits on Rimless Aquariums-18mm thickness or less
- Fits on Framed Aquariums—30mm thickness or less

### Retrofit Mounting Brackets—*Not Included*

- Mounts inside canopy

## HANDLING PRECAUTIONS

- Do not use cleaners that contain ammonia to clean the Tablet surface.
- Always unplug light when upon performing any maintenance on Tablet
- Do not lift Tablet upward when mounted with the Aluminum Alloy Arm—The Arm is not flexible/bendable
- Do not place anything on top of Tablet.
- Do not restrict/cover fan vent—Thermal Protection Chip will automatically shut off power to LEDs

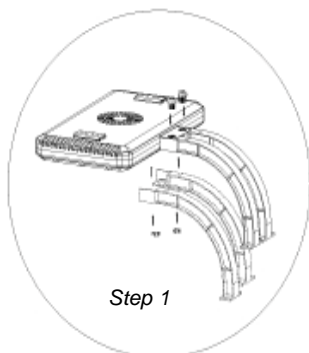
## CHOOSING A LOCATION

- Place Tablet in a ventilated area
- Use appropriate Mounting Bracket Depending on rimless or framed tank.
  - Rimless Aquarium—18mm
  - Framed Aquarium—30mm
- If using Tablet inside Canopy make sure the Canopy is properly ventilated.

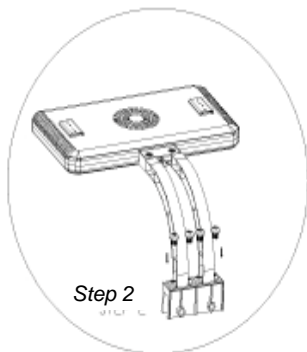
## MOUNTING SKKYE LIGHT TABLET

### Rimless Tank Mounting

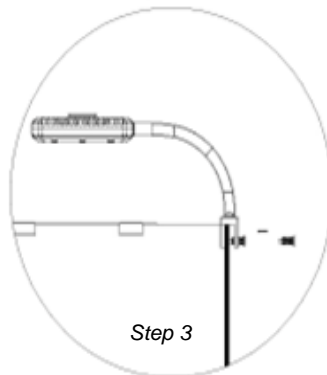
- Tablet 30 and Tablet 92 comes with Aluminum Alloy Arms & Mounting brackets for rimless and framed tanks.
- Mounting Bracket for Rimless tanks fits a thickness of 18mm or less
- Mounting Bracket for Framed tanks fits a thickness of 30mm or less



- Attach the Left & Right Aluminum Arms to the Tablet using the included nuts and screws



- Attach Arms and Tablet to the mounting bracket using the included screws.

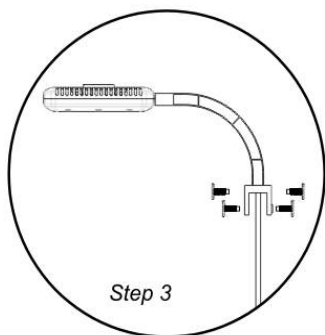


- Place the Mounting Bracket on the Aquarium Wall.
- Insert the (2) Rear Mounting Screws to the Mounting Bracket and tighten.
- Confirm the Tablet is securely mounted on the aquarium before powering up

## MOUNTING SKKYE LIGHT TABLET

### Framed/Rimmed Tank Mounting

- Follow Steps 1 & 2 shown on page 12.



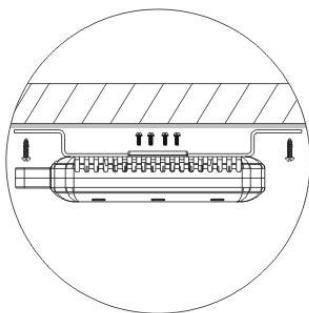
Place the Mounting Bracket on the Framed Tank Wall  
Tighten the (2) Rear Mounting screws

Tighten the (2) Front Mounting screws  
Confirm the Tablet is securely mounted on the aquarium before powering up

### Inside of Canopy

- Use Retrofit Mounting Brackets—Part # 620018  
(Sold Separately)

Insert the Mounting Brackets through the slots on top of the Tablet.  
Tighten the screws & make sure the brackets are securely attached.

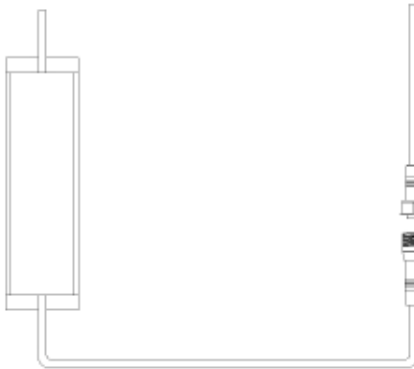


Mount Tablet inside a Canopy using the hardware included in the Retrofit Mounting Bracket

## POWERING UP SKKYE LIGHT TABLET

### Daylight Driver

- Tablet 30W & Tablet 92W comes with a Daylight Driver
- Plug male plug from the Tablet to the female plug from the Daylight Driver
- Once connection has been made, screw the security cap over the quick disconnect.

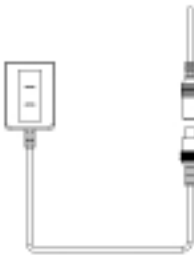


28x1W or 28x3W Daylight Driver

- Plug the Daylight Driver into a approved household timer

### Moonlight Driver

- Tablet 30W & Tablet 92W comes with a Moonlight Driver
- Plug the female prong from the Tablet to the male plug from the Moonlight Driver



2 x 1W Moonlight Driver

- Plug the Moonlight Driver into a approved household timer

## POWERING UP SKKYE LIGHT TABLET

### Dawn/Dusk Driver—for Tablet 92W Only

- Tablet 92W comes with a Dawn/Dusk Driver
- Plug the female prong from the Tablet to the male plug from the Dawn/Dusk Driver



2x3W Dawn/Dusk Driver

- Plug the Dawn/Dusk Driver into a approved household timer







## WARRANTY INFORMATION

### LIMITED 1 YEAR WARRANTY— TABLET 30W & TABLET 92W

This TABLET has a 1 YEAR limited warranty. The TABLET is warranted to the original purchaser against defective material and workmanship for 1 YEAR from the date of original purchase. This warranty is valid only under the following conditions: additions, modifications, or changes made to the product by the purchaser and not by the manufacturer shall void this warranty. Damages brought on by abuse, misapplication, or mishandling also voids this warranty.

This warranty is limited to the repair or replacement of the product at the discretion of the manufacturer. This warranty does not cover personal injury, property loss, including livestock or damage (direct, incidental, or consequential) arising out of use of this product. This warranty gives you specific rights and you may also have other rights, which may vary from state to state.

The Product Registration Card must be filled out completely and returned within (14) days from the date of purchase. Failure to do so will void this warranty. **A proof of purchase from an authorized dealer must be provided when making a warranty claim.**

A RMA # must be issued before sending any product back to Innovative Marine. Products sent back to Innovative Marine without RMA# will be not be accepted. Service on products will not extend the original warranty period.

To file a Warranty Claim please contact our Customer Care Department.

**Email: [warranty@innovative-marine.com](mailto:warranty@innovative-marine.com)**

**PRODUCT INFORMATION**

<b>MODEL #</b>
<b>TABLET SERIAL #</b>
<b>DATE OF PURCHASE</b>

*Please keep your receipt in a safe place to ensure you have this information.*



[WWW.INNOVATIVE-MARINE.COM](http://WWW.INNOVATIVE-MARINE.COM)

A Division of

