



FUSION™ Nano 10 & Nano 20

NUVO-AQUARIUM

Owner's Manual

TABLE OF CONTENTS

TABLE OF CONTENTS

Important Safety Instructions	3-5
Parts—Exploded View & Identification	
Nano 10	6
Nano 20	7
Introduction	
Nano 10	8-9
Nano 20	10-11
Maintenance Procedures	12-13
Warranty Information	14
Owners Product Information	15

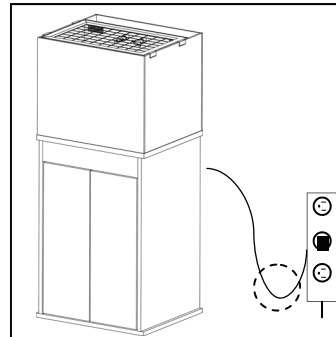
WARNING

To guard against injury, basic safety precautions should be observed including the following:

READ ALL SAFETY INSTRUCTIONS BEFORE USE.

To avoid electric shock, special care should be taken since water is employed in the use of aquarium equipment. For each of the following situations, do not attempt to repair yourself. Return the appliance to an authorized service facility for service or discard the appliance.

- If the appliance falls into water, DO NOT reach for it! First unplug it and then retrieve it. If the electrical components of the appliance get wet, unplug the appliance immediately.
- Carefully examine the appliance after installation. It should not be plugged in if there is water on parts not intended to be wet.
- Do not operate any appliance if it has a damaged cord or plug, or if it is malfunctioning or if it is dropped or damaged in any manner.
- To avoid the possibility of the appliance plug or receptacle getting wet, position aquarium to one side of a wall mounted receptacle to prevent water from dripping onto the receptacle plug. A "Drip Loop" should be arranged by the user for EACH cord connecting an aquarium appliance to a receptacle. The "Drip Loop" is that part of the cord below the level of the receptacle or the connector if an extension cord is used. This "Drip Loop" prevents water travelling along the cord and coming in contact with the receptacle. If the plug or the receptacle do get wet DO NOT unplug the cord. Disconnect the fuse to the circuit breaker that supplies power to the appliance. Then unplug and examine for the presence of water in the receptacle.



- Close supervision is necessary when any appliance is used by or near children.
- To avoid injury, do not contact moving parts or hot parts such as heaters, reflectors, lamps bulbs and etc.
- Always unplug an appliance from the outlet when not in use, before putting on or taking off parts, and before cleaning. Never yank the cord to pull plug from outlet. Grasp the plug and pull to disconnect.

IMPORTANT SAFETY INSTRUCTIONS

- Do not use an appliance for other than intended use. The use of attachments not recommended or sold by the appliance manufacturer may cause an unsafe condition.
- Make sure an appliance mounted on a tank is securely installed before operating it.
- Read and observe all the important notices on the appliance.
- This appliance has a polarized plug (one blade is wider than the other). As a safety feature, this plug will fit in a polarized outlet only one way. If the plug does not fit fully in the outlet, reverse the plug. If it still does not fit, contact a qualified electrician. Never use with an extension cord unless plug can be fully inserted. Do not attempt to defeat this safety feature.
- This appliance is intended FOR HOUSEHOLD USE ONLY.

FINDING A LOCATION

- Find a location that can handle the weight of your NUVO Fusion
- Do not install or store the aquarium where it will be exposed to the weather or to temperatures below freezing.
- Do not place aquarium in direct sunlight or near heater vents.
- We recommend ambient room temperature around 25° C/ 77° F.
- Place aquarium 5-6" away from the wall to allow access to the back if needed
- Make sure surrounding appliances are waterproof and move anything that might be damaged by salt creep.

ASSEMBLY

- Upon arrival please check tank and/or stand for missing parts. If parts are missing, please contact Innovative Marine for further assistance. 1-866-368-7941.

LEAK TESTING AND FILLING YOUR NUVO AQUARIUM

- Find a good location to test your aquarium.
- Your location should be level, flat and should not be in a place where can be damaged in case of a leak. (Garage or covered patio)
- Slowly fill your aquarium from the display portion of the tank and let the water naturally enter the overflows.
- Plug in your pumps and continue adding water until your water line reaches about 1" under the last baffle wall in the back of the aquarium
- Check every 8 hours over the next 24 hours for leaks. If any leaks have been detected please contact your authorized Innovative Marine Dealer immediately.

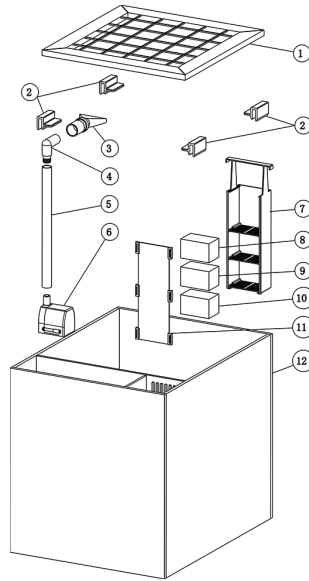
PLACING AND LEVELING YOUR NUVO AQUARIUM

- Make sure your NUVO is set on a level surface to prevent undue stress on the aquarium tank from stress and leaks.
- It is not recommended that this aquarium is set upon coffee tables, end tables, TV stands, or night stands unless the structure has been properly tested to withstand the weight limits of the aquarium.
- Please pay special attention when leveling your aquarium on carpet.
- Before lifting your aquarium, make sure your stand is in position and your leveling mat is properly adhered to the top of your stand.
- Lifting the glass aquarium onto its stand will require more than two people. Please use proper lifting techniques when lifting large heavy objects.
- Lift from the bottom of the aquarium DO NOT lift using the aquariums' glass edges this will cause stress on the glass and seals and may cause leakage.
- The back of the aquarium should be flush with your stand and all four corners are not overhanging the edges.
- Once you have placed your aquarium atop your stand, make sure your stand has not moved from its position.
- Place a level on edge of tank, if necessary readjust and reposition tank and stand.

**PARTS
Exploded View**

Nano 10

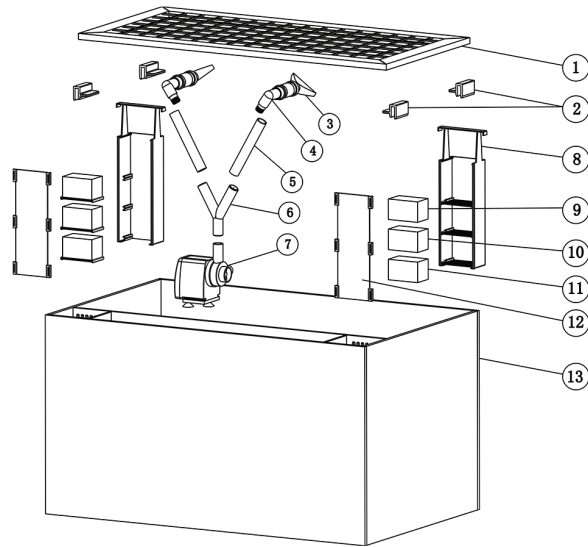
Model #:
0205



#	Description	Item Code
1	Mesh Screen Top	020504
2	Mesh Screen Clips	020503
3	Flare Nozzle	000006
4	Elbow Connector	000016
5	Return Hose	020003
6	10 Gallon Pump	020001
7	Filter Basket	000003
8	Mechanical Filter Sponge	000004
9	Activated Carbon Sponge	000004
10	Phosphate Filter Sponge	000004
11	Filter Basket Door	000003
12	Glass Tank 10 Gallons	020501

Nano 20

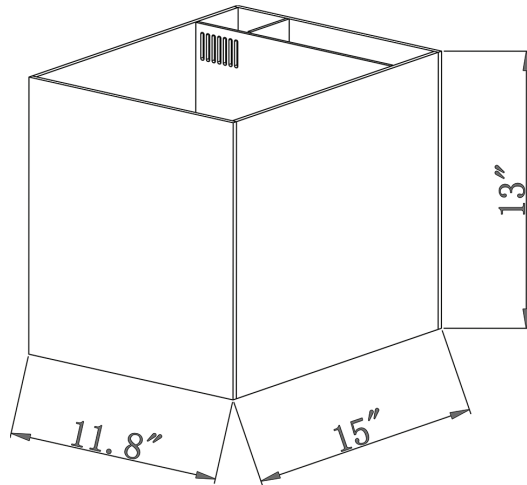
Model #:
0305



PARTS
Exploded View

#	Description	Item Code
1	Mesh Screen Top	030504
2	Mesh Screen Clips	030503
3	Flare Nozzle	000012
4	Elbow Connector	000016
5	Return Hose	030002
6	"Y" Connector	000013
7	20 Gallon Pump	020004
8	Filter Basket	000003
9	Mechanical Filter Sponge	000004
10	Activated Carbon Sponge	000004
11	Phosphate Filter Sponge	000004
12	Filter Basket Door	000003
13	Glass Tank 20 Gallons	030501

Nano 10



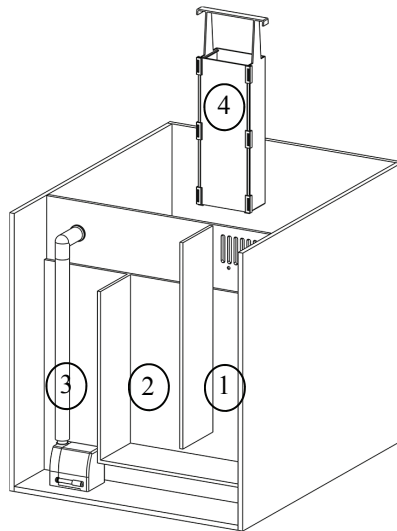
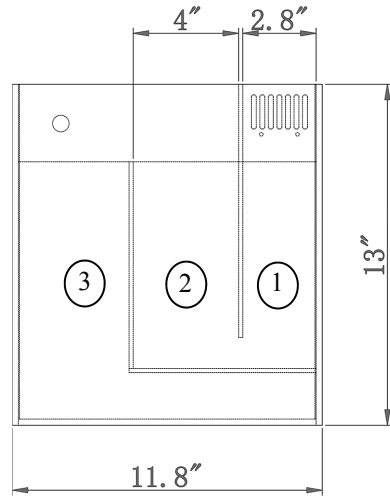
Sophistication and style now in a nano size.

Build a welcoming environment for yourself with the most advanced AIO in its class. Keeping in line with the features of their successor, the Fusion Nano 10 & 20 has generous display space for aquascaping and a redesigned filter wall for current and future Innovative Marine products in mind. By raising the bar on what comes standard you get to live large in a small space.

Features:

DIMS: Length 11.80" Width: 15" Height: 13"
6mm High Clarity Low Iron Glass
Mesh Screen Top with Clips
Built-in Overflows
Rubber Leveling Mat
(1) - Removable 3 Stage Filter Baskets
(1) - 8W 110v/60Hz 13-92 GPH Return Pump
Includes: Flexible hose and return elbow with Directional Flow Nozzle

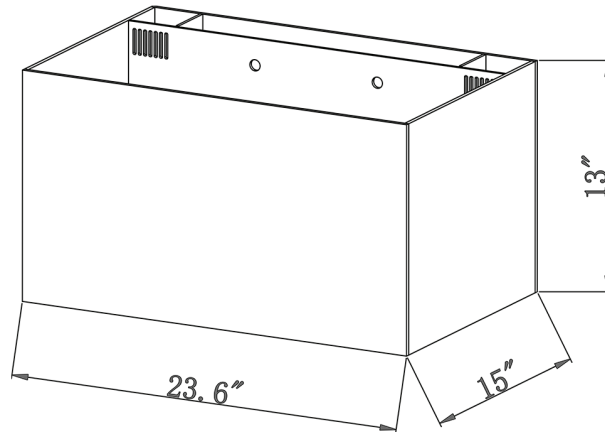
Nano 10 FILTRATION



1. 3 Stage Filter Column
2. Skimmer & Media Reactor Column
3. Return Pump/Water Reservoir Column (ATO Sensor Column)
4. Removable 3 Stage Filter Media Basket

(Heater, Skimmer, Media Reactor not included)

Nano 20



Sophistication and style now in a nano size.

Build a welcoming environment for yourself with the most advanced AIO in its class. Keeping in line with the features of their successor, the Fusion Nano 10 & 20 has generous display space for aquascaping and a redesigned filter wall for current and future Innovative Marine products in mind. By raising the bar on what comes standard you get to live large in a small space.

Features:

DIMS: Length: 23.60" Width: 15" Height: 13"

6mm High Clarity Low Iron Glass

Mesh Screen Top with Clips

Dual Built-in Overflows

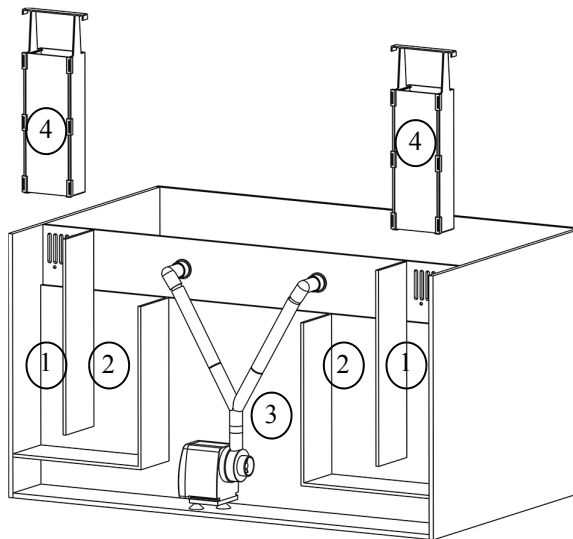
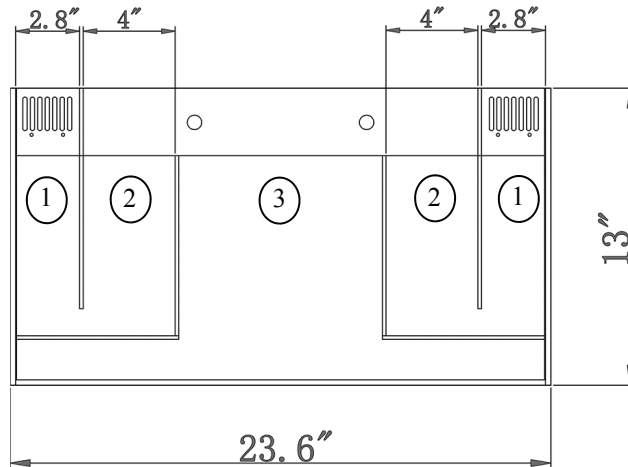
Rubber Leveling Mat

(2) - Removable 3 Stage Filter Baskets

(1) - 11W 110v/60Hz 211 GPH Return Pumps

Includes: Flexible hose and return elbows with Dual Directional Flow Nozzles

Nano 20 FILTRATION



1. 3 Stage Filter Column
2. Skimmer & Media Reactor Column
3. Return Pump/Water Reservoir Column (ATO Sensor Column)
4. Removable 3 Stage Filter Media Basket

(Heater, Skimmer, Media Reactor not included)

Regular maintenance is necessary to keep successful aquarium.

PLEASE NOTE: *Unplug pumps before water changes or replacing media.*

WATER CHANGES

Water changes should be performed once every 2 to 4 weeks depending on the bio-load.

A minimum of a 25% water change is essential to keep dissolved organic to a minimum.

REPLACING FILTER MEDIA

Filter Media should be replaced every month to remove trapped debris and free floating particulate matter.

- Lift the Filter Basket out from the Filter Column.
- Slide the cover off of the filter basket
- Replace with the NUVO Aquarium Filter Media Pack.

We recommend using Innovative Marine's Filter Media Pack (Part #000004) for optimal fit and to prevent bypass that may occur by other manufactures filter media.

PLEASE NOTE: *Please rinse media under RO water to remove any dust or debris that might have been collected while stored.*

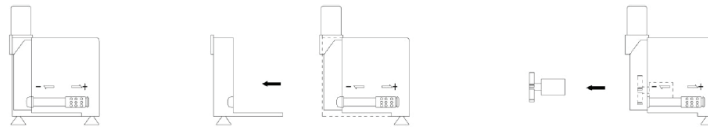
First time use of a brand new filter media may cause increased protein skimming. Please monitor your protein skimmer so overflowing of your collection cup does not happen.

REPLACING/CLEANING PUMP & PUMP IMPELLER

In order to maximize the life of your pump, it is crucial to perform the proper periodic maintenance at designated intervals. We recommend cleaning your pump and impellers every 2-4 weeks.

Fusion Nano 10 and Nano 20

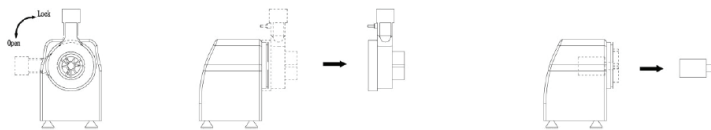
- Unplug pump from power strip.
- Unplug both return elbows out from the return hole on filter wall.
- Raise each return elbow upward and remove pump from filter chamber.



(Nano 10 pump)

Fusion Nano 10 and Nano 20 (cont.)

- Remove bottom pump cover. (Nano 10 pump only)
- Disassemble the impeller holder coupling from pump motor. (Nano 20 pump only)
- Lift out the impeller & shaft from pump motor.



(Nano 20 pump)

WARRANTY INFORMATION

LIMITED 1 YEAR WARRANTY - Nano 10 & Nano 20

The Nano 10 & Nano 20 have a 1 YEAR limited warranty. The Nano 10 & Nano 20 is warranted to the original purchaser against defective material and workmanship for **1 YEAR from the date of original purchase**. This warranty is valid only under the following conditions: additions, modifications, or changes made to the product by the purchaser and not by the manufacturer shall void this warranty. Damages brought on by abuse, misapplication, or mishandling also voids this warranty.

This warranty is limited to the repair or replacement of the product at the discretion of the manufacturer. This warranty does not cover personal injury, property loss, including livestock or damage (direct, incidental, or consequential) arising out of use of this product. This warranty gives you specific rights and you may also have other rights, which may vary from state to state.

The Product Registration Card must be filled out completely **with a copy of your proof of purchase** and returned within (14) days from the date of purchase. Failure to do so will void this warranty.

A proof of purchase from an authorized dealer must be provided when making a warranty claim.

For Warranty Claims please contact our Customer Care Department.

A RMA# must be issued before sending any product back to Innovative Marine. Products sent back to Innovative Marine without a RMA# will not be accepted. Service on products will not extend the original warranty period.

Email: warranty@innovative-marine.com

PRODUCT INFORMATION

MODEL #

**AQUARIUM
SERIAL #**

**DATE OF
PURCHASE**

Please keep your receipt in a safe place to ensure you have this information.



WWW.INNOVATIVE-MARINE.COM

A Division of

